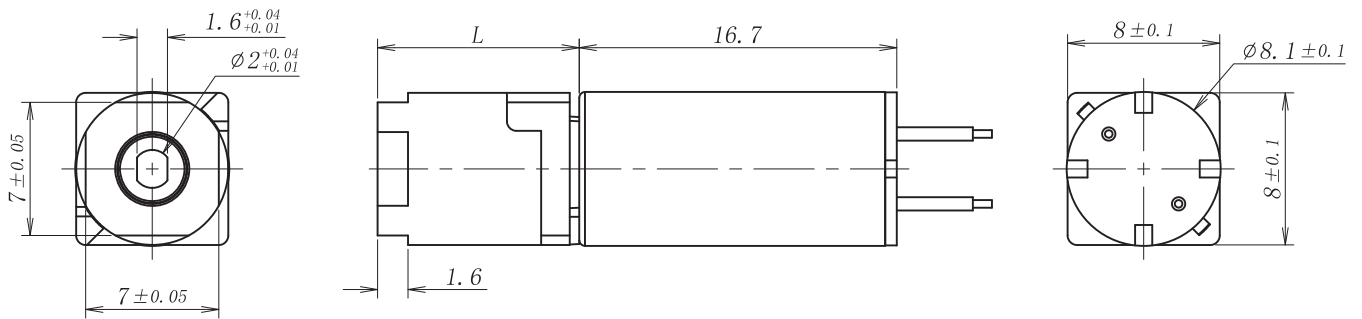


# GMP08-TDC08

8mm gearbox plus 8mm Coreless permanent magnet DC motor



|   |            |      |          |       |
|---|------------|------|----------|-------|
| 模数 Module                                     | 0.15       |      |          |       |
| 额定负载 Rated torque (kg.cm)                     | 0.6 (塑胶外壳) |      | 2 (金属外壳) |       |
| 瞬间允许力矩 Max momentary tolerance torque (kg.cm) | 2 (塑胶外壳)   |      | 7 (金属外壳) |       |
| 减速比 Reduction ratio                           | 1/5        | 1/25 | 1/125    | 1/625 |
| 齿轮箱减速级数 Number of gear stages                 | 1          | 2    | 3        | 4     |
| 减速箱长度 Gearbox length L (mm)                   | 8.05       | 10.6 | 13.15    | 15.7  |



Weight: 4.9g(Approx)

Unit(mm)

## 减速电机技术参数 Gear Motor Technical Data

| 减速比 Reduction ratio |                           | 5    | 25   | 125  | 625  |
|---------------------|---------------------------|------|------|------|------|
| 3.7V                | 空载转速 No-load speed (rpm)  | 7751 | 1550 | 310  | 62   |
|                     | 负载转速 Rated speed (rpm)    | 7004 | 1401 | 280  | 56   |
|                     | 负载力矩 Rated torque (kg.cm) | 0.02 | 0.09 | 0.37 | 1.55 |

## 单电机技术参数 Motor Technical Data

| 电机型号 Motor model | 额定电压 Rated voltage | 无负荷 No-load |            | 额定 Rated |           |            | 堵转 Stall |           |            |
|------------------|--------------------|-------------|------------|----------|-----------|------------|----------|-----------|------------|
|                  |                    | 转速 Speed    | 电流 Current | 转速 Speed | 力矩 Torque | 电流 Current | 功率 Power | 力矩 Torque | 电流 Current |
|                  | VDC                | r/min       | mA         | r/min    | g.cm      | mA         | W        | g.cm      | A          |
| TDC08            | 3.7V               | 39531       | 80         | 35022    | 4.76      | 645        | 1.71     | 41.7      | 5          |

